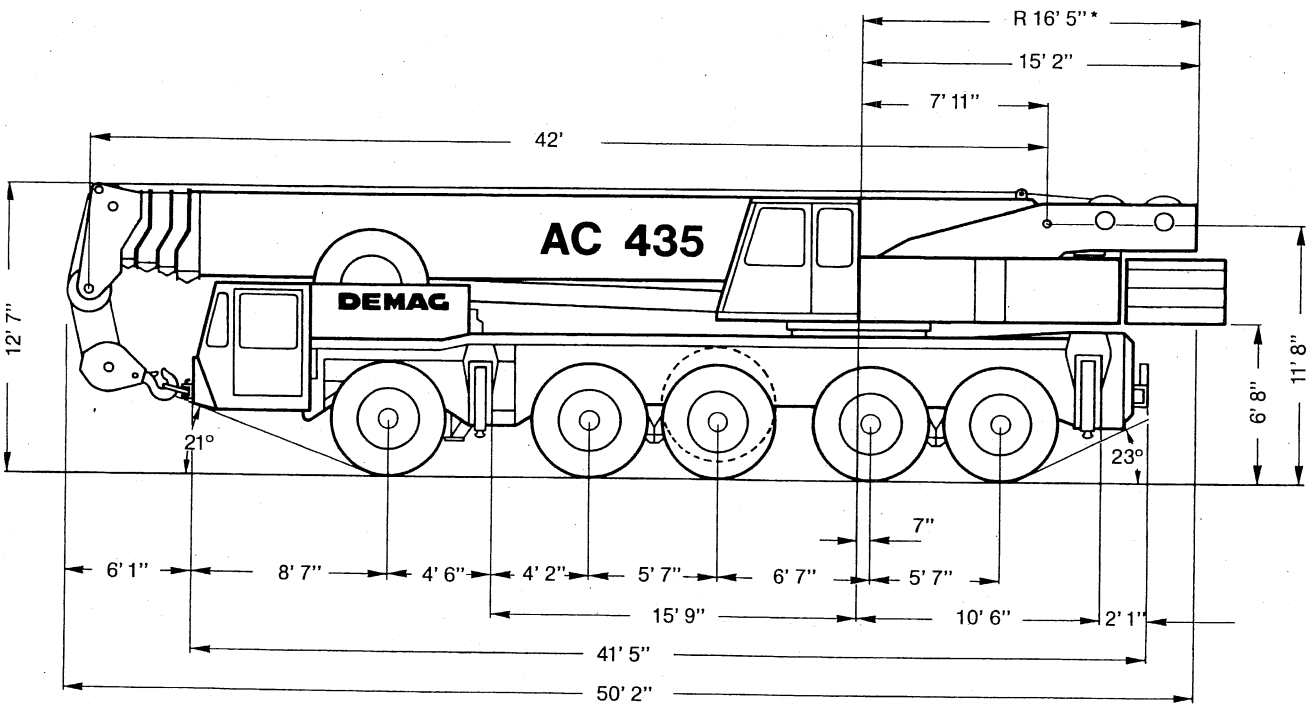
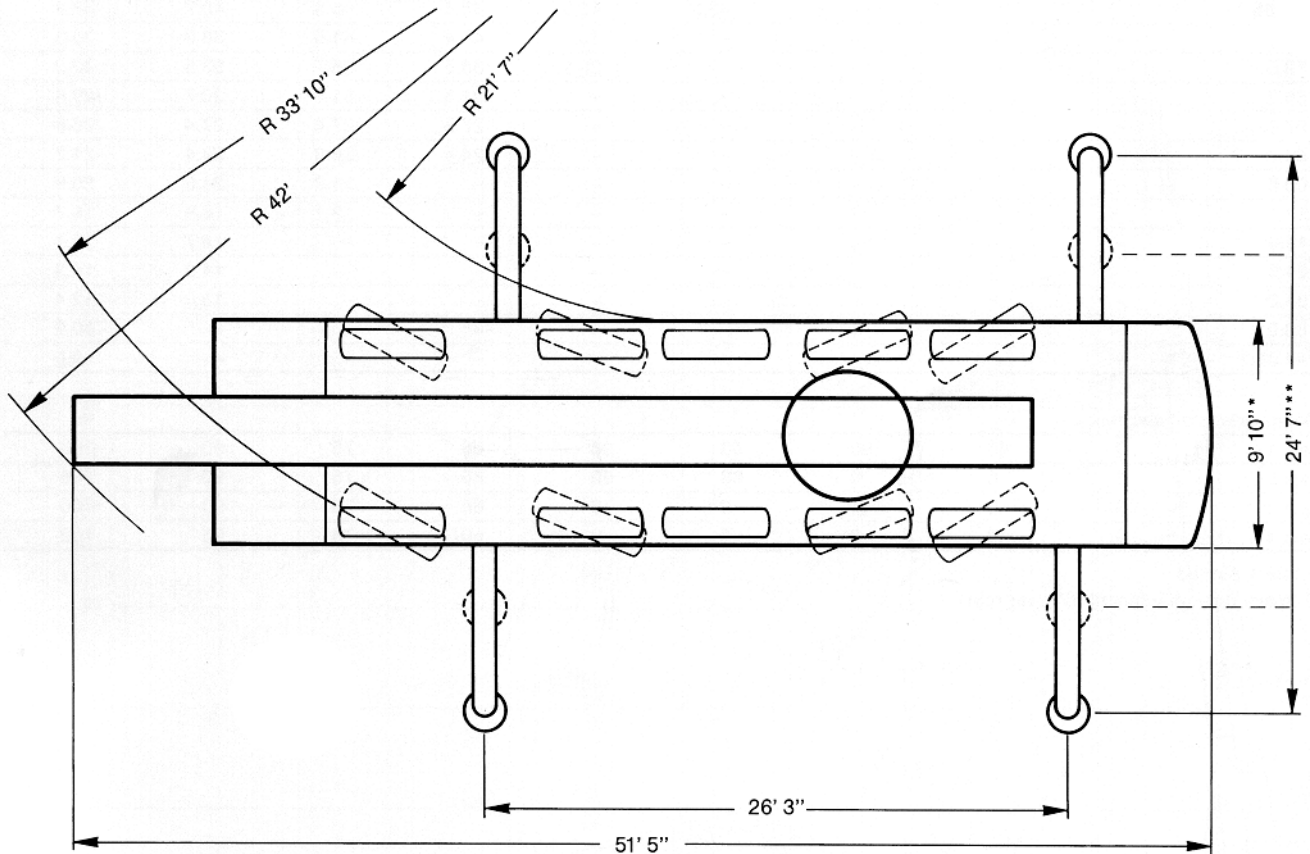
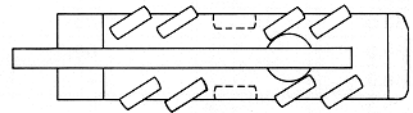
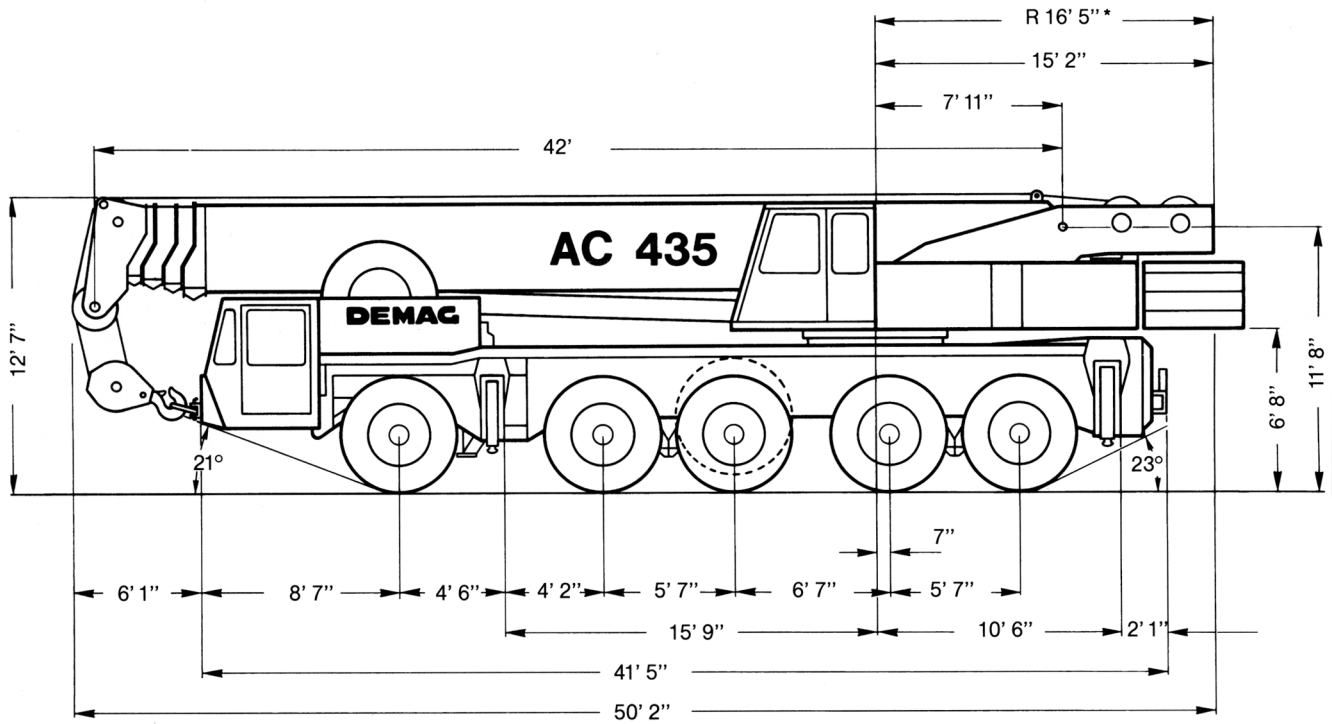


Dimensions



* Width with more than 59,000 lb of counterweight: 16' 5"; tail swing: 16' 11"

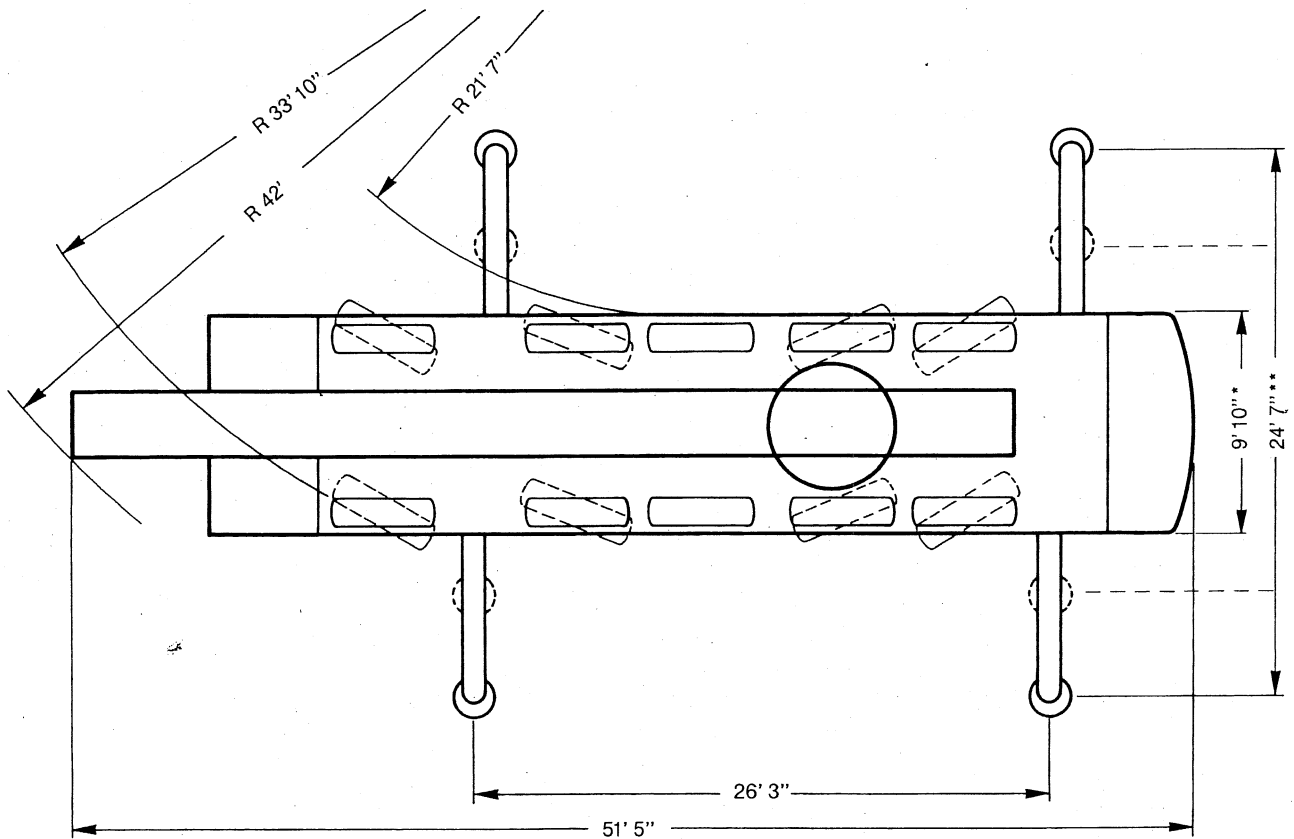
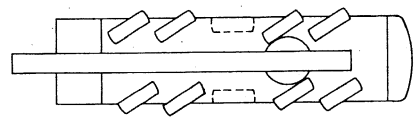
Dimensions



* Width with more than 59,000 lb counterweight 16' 5", tail swing 16' 11"

** Duties for outrigger base 16' upon request

Dimensions

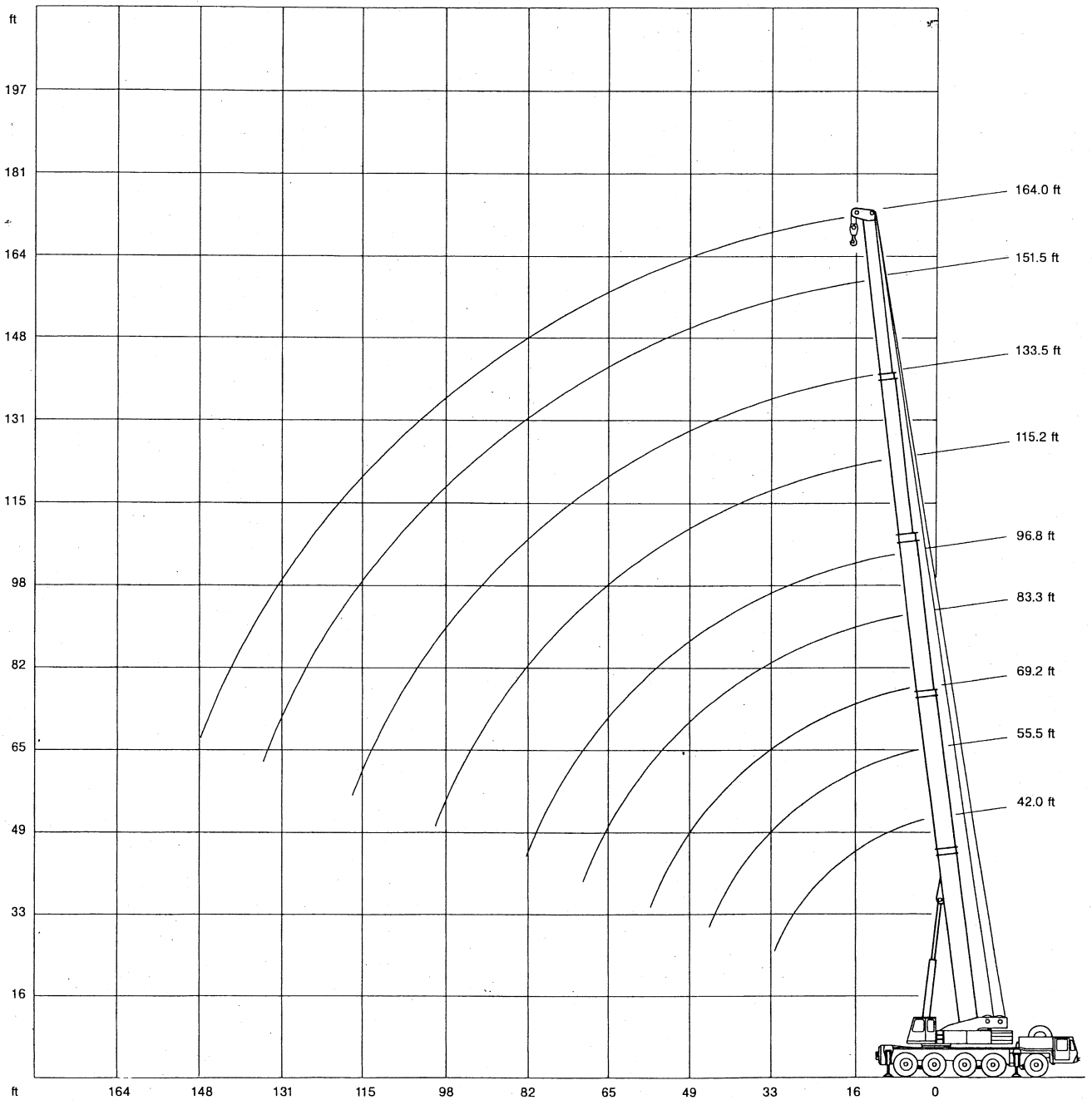


* Width with more than 59,000 lb of counterweight: 16' 5", tail swing: 16' 11"

** Duties for outrigger base 16' upon request

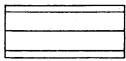
TAIL SWING: 17' 9" W/ 103,000 CWT

Working range main boom



Lifting capacities main boom in 1,000 lb

103,000 lb.
~~97,000 lb.~~



360°

85%

Radius ft	Main boom								
	42.0 ft	55.5 ft*	69.2 ft*	83.3 ft*	96.8 ft*	115.2 ft	133.5 ft	151.5 ft	164.0 ft
10.0	360.0 ¹⁾ / 327.0 ²⁾	198.0	-	-	-	-	-	-	-
11.0	308.0 ²⁾	198.0	198.0	-	-	-	-	-	-
13.0	277.0	198.0	198.0	165.0	132.0	-	-	-	-
15.0	251.0	198.0	198.0	164.5	132.0	-	-	-	-
16.0	243.0	198.0	198.0	161.0	132.0	83.5	-	-	-
19.0	215.0	198.0	194.5	149.5	132.0	83.5	79.0	-	-
23.0	180.5	178.0	175.0	134.5	123.5	83.5	79.0	61.5	-
26.0	159.5	156.5	155.0	124.5	116.5	83.5	78.0	61.5	46.2
29.0	141.0	139.5	137.5	116.0	109.5	83.5	75.5	61.5	46.2
33.0	-	120.5	118.5	105.5	100.5	83.5	71.5	61.0	46.2
39.0	-	98.0	96.5	91.5	88.0	75.5	66.5	57.5	46.2
46.0	-	-	75.0	77.0	75.5	67.0	60.5	53.3	46.2
52.0	-	-	61.5	63.0	62.5	60.5	55.7	49.2	44.2
59.0	-	-	-	51.2	50.8	54.5	50.5	44.3	41.4
65.0	-	-	-	43.5	42.9	48.4	45.8	40.7	38.6
72.0	-	-	-	-	35.8	41.4	41.5	36.9	35.5
79.0	-	-	-	-	29.9	35.5	35.7	33.6	32.2
85.0	-	-	-	-	-	31.3	31.5	30.7	29.4
92.0	-	-	-	-	-	27.2	27.4	27.4	26.8
98.0	-	-	-	-	-	24.4	24.6	24.4	24.2
105.0	-	-	-	-	-	-	21.3	21.3	20.9
111.0	-	-	-	-	-	-	19.1	18.9	18.7
118.0	-	-	-	-	-	-	-	16.7	16.1
124.0	-	-	-	-	-	-	-	14.9	14.3
131.0	-	-	-	-	-	-	-	13.0	12.4
138.0	-	-	-	-	-	-	-	-	10.9
144.0	-	-	-	-	-	-	-	-	9.5

Boom extension sequence										%
Tele 1	0	45	90	68	90	60	75	90	100	100
Tele 2	0	0	0	68	90	60	75	90	100	100
Tele 3	0	0	0	0	0	60	75	90	100	100
Tele 4	0	0	0	0	0	60	75	90	100	100

*) Tele 1 pinned
 1) static, test load only
 2) only over rear!

Duties above 220,000 lb with heavy-duty attachment only.

Lifting capacities main boom in 1,000 lb

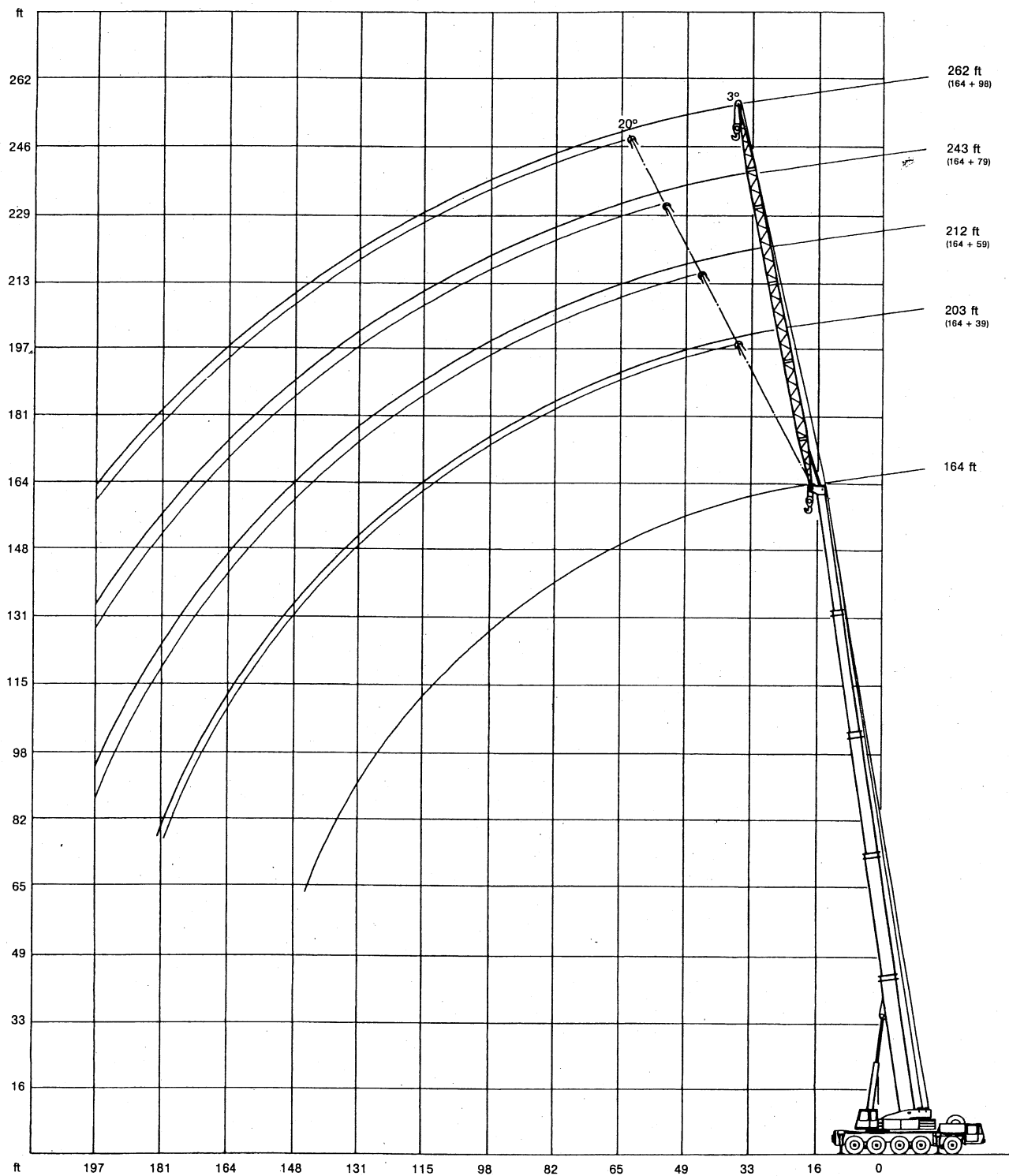
59,500 lb   **360°** **85%**

Radius ft	Main boom														
	42.0 ft	55.5 ft*	69.2 ft*	83.3 ft*	96.8 ft*		115.2 ft		133.5 ft		151.5 ft		164.0 ft	over rear 42.0 ft	69.2 ft
	1,000 lb														
10.0	316.0	198.0	-	-	-	-	-	-	-	-	-	-	-	-	-
11.0	299.0	198.0	198.0	-	-	-	-	-	-	-	-	-	-	-	-
13.0	268.0	198.0	198.0	165.0	77.0	132.0	77.0	-	-	-	-	-	-	-	-
15.0	244.0	198.0	198.0	164.5	77.0	132.0	77.0	-	-	-	-	-	-	-	-
16.0	233.0	198.0	198.0	161.0	77.0	132.0	77.0	83.5	66.0	-	-	-	-	43.0	39.7
19.0	200.0	191.5	190.5	149.5	77.0	132.0	77.0	83.5	66.0	79.0	41.8	-	-	40.4	37.1
23.0	164.5	161.5	160.0	134.5	77.0	123.5	76.5	83.5	64.5	79.0	41.8	61.5	-	34.0	30.5
26.0	143.0	140.0	138.0	124.5	77.0	116.5	73.0	83.5	61.5	78.0	41.8	61.5	46.2	27.2	23.7
29.0	125.5	122.5	120.0	116.0	77.0	109.5	69.0	83.5	58.3	75.5	41.8	61.5	46.2	19.9	16.6
33.0	-	98.5	96.0	98.0	72.5	97.5	64.5	83.5	54.0	71.5	41.7	61.0	46.2	-	12.8
39.0	-	73.5	71.5	73.5	65.5	72.5	57.3	75.5	47.9	66.5	37.3	57.5	46.2	-	8.8
46.0	-	-	53.2	54.7	55.4	54.3	50.6	60.5	41.3	60.5	32.5	53.3	46.2	-	5.0
52.0	-	-	42.7	44.2	48.0	43.6	45.8	49.8	36.5	50.2	28.9	49.2	44.2	-	2.6
59.0	-	-	-	34.6	41.0	34.2	39.7	40.2	32.0	40.4	25.6	40.4	40.1	-	-
65.0	-	-	-	28.2	35.8	27.7	35.2	33.9	28.7	34.3	23.5	34.3	34.1	-	-
72.0	-	-	-	-	-	21.7	30.5	28.1	26.2	28.3	21.2	28.3	28.1	-	-
79.0	-	-	-	-	-	17.0	26.0	23.2	23.5	23.4	19.3	23.4	23.2	-	-
85.0	-	-	-	-	-	-	-	19.7	21.9	20.0	18.1	20.0	19.7	-	-
92.0	-	-	-	-	-	-	-	16.7	19.7	16.9	16.9	16.9	16.4	-	-
98.0	-	-	-	-	-	-	-	14.2	17.5	14.2	15.7	14.2	14.0	-	-
105.0	-	-	-	-	-	-	-	-	-	11.9	14.5	11.9	11.6	-	-
111.0	-	-	-	-	-	-	-	-	-	10.0	13.5	10.0	9.8	-	-
118.0	-	-	-	-	-	-	-	-	-	-	-	8.1	7.9	-	-
124.0	-	-	-	-	-	-	-	-	-	-	-	6.7	6.5	-	-
131.0	-	-	-	-	-	-	-	-	-	-	-	5.5	4.9	-	-
138.0	-	-	-	-	-	-	-	-	-	-	-	-	3.7	-	-
144.0	-	-	-	-	-	-	-	-	-	-	-	-	2.7	-	-

Boom extension sequence															%	
Tele 1	0	45	90	68	0	90	0	60	0	75	0	90	100	0	90	
Tele 2	0	0	0	68	45	90	60	60	80	75	100	90	100	0	0	
Tele 3	0	0	0	0	45	0	60	60	80	75	100	90	100	0	0	
Tele 4	0	0	0	0	45	0	60	60	80	75	100	90	100	0	0	

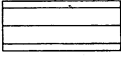

*) Tele 1 pinned
 Duties above 220,000 lb with heavy-duty attachment only.

Working range fixed fly jib

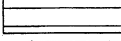
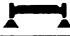


Lifting capacities fixed fly jib in 1,000 lb

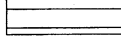

Main boom: 164 ft

~~103,000 lb~~
~~97,000 lb~~   **360° 85%**

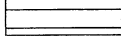

Radius ft	Fixed fly jib	
	39.0 ft	59.0 ft
	3°	3°
	1,000 lb	
33	24.2	-
39	23.8	18.7
46	22.9	17.8
52	21.9	17.2
59	20.9	16.7
65	19.9	15.9
72	18.9	15.2
79	17.6	14.5
85	16.7	13.7
92	15.6	12.9
98	14.8	12.1
105	13.8	11.4
111	13.2	10.8
118	12.3	10.1
124	11.7	9.5
131	11.0	9.0
138	10.3	8.1
144	9.7	7.7
151	9.2	7.2
157	8.0	7.0
164	7.0	6.3
170	6.0	6.1
177	4.8	5.3
184	-	4.3
190	-	3.7

59,500 lb   **360° 85%**

Radius ft	Fixed fly jib							
	39.0 ft		59.0 ft		79.0 ft		98.0 ft	
	3°	20°	3°	20°	3°	20°	3°	20°
	1,000 lb							
33	24.2	-	-	-	-	-	-	-
39	23.8	-	18.7	-	-	-	-	-
46	22.9	-	17.8	-	13.8	-	-	-
52	21.9	17.4	17.2	-	13.2	-	9.9	-
59	20.9	16.5	16.7	12.5	12.7	-	9.7	-
65	19.9	15.7	15.9	12.1	11.9	-	9.3	-
72	18.9	15.0	15.2	11.6	11.4	8.8	8.8	-
79	17.6	14.2	14.5	11.2	10.9	8.3	8.1	-
85	16.7	13.2	13.7	10.8	10.1	8.1	7.9	6.1
92	15.6	12.1	12.9	10.1	9.6	7.7	7.4	5.9
98	14.8	11.5	12.1	9.7	9.2	7.5	7.0	5.7
105	13.2	10.8	11.4	9.2	8.8	7.2	6.8	5.5
111	11.4	9.9	10.8	8.6	8.2	6.8	6.4	5.1
118	9.2	9.2	9.9	8.1	7.7	6.6	5.9	4.8
124	7.8	8.4	8.3	7.7	7.3	6.2	5.5	4.6
131	6.2	7.3	7.0	7.2	6.8	5.7	5.0	4.4
138	4.8	5.9	5.2	6.7	6.1	5.2	4.8	4.1
144	3.8	4.7	4.4	5.5	4.9	4.8	4.4	3.9
151	2.6	3.2	3.2	4.3	3.9	4.6	4.1	3.3
157	-	2.4	2.4	3.3	2.9	4.2	3.3	3.1
164	-	-	-	2.4	-	3.3	2.4	2.8
170	-	-	-	-	-	2.7	-	2.4
177	-	-	-	-	-	-	-	2.2

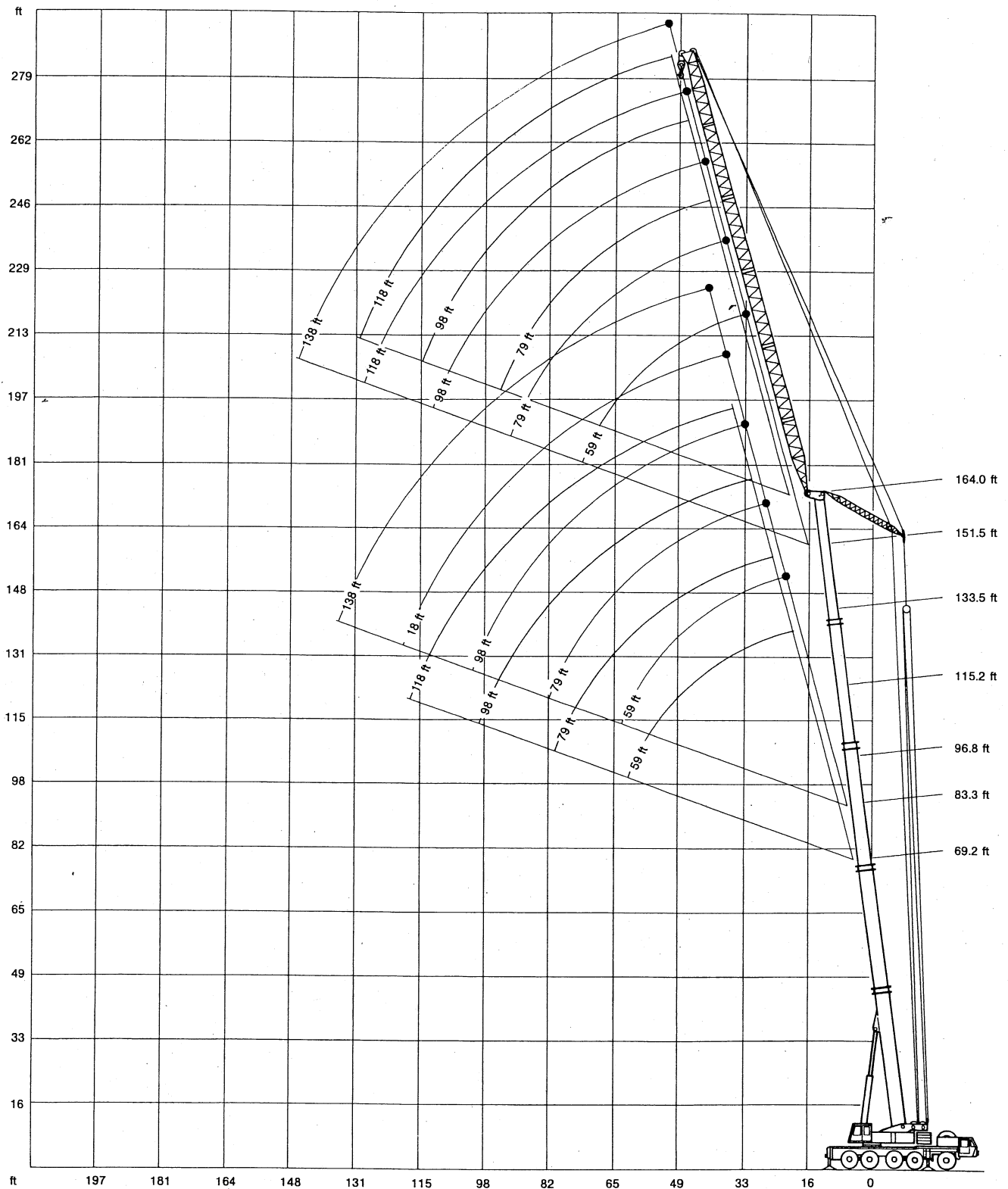
42,000 lb   **360° 85%**

Radius ft	Fixed fly jib							
	39.0 ft		59.0 ft		79.0 ft		98.0 ft	
	3°	20°	3°	20°	3°	20°	3°	20°
	1,000 lb							
33	24.2	-	-	-	-	-	-	-
39	23.8	-	18.7	-	-	-	-	-
46	22.9	-	17.8	-	13.8	-	-	-
52	21.9	17.4	17.2	-	13.2	-	9.9	-
59	20.9	16.5	16.7	12.5	12.7	-	9.7	-
65	19.9	15.7	15.9	12.1	11.9	-	9.3	-
72	18.9	15.0	15.2	11.6	11.4	8.8	8.8	-
79	17.5	14.2	14.5	11.2	10.9	8.3	8.1	-
85	14.6	13.2	13.7	10.8	10.1	8.1	7.9	6.1
92	11.8	12.1	11.8	10.1	9.6	7.7	7.4	5.9
98	9.8	11.5	10.0	9.7	9.2	7.5	7.0	5.7
105	7.7	9.2	7.9	9.2	8.1	7.2	6.8	5.5
111	6.1	7.4	6.5	8.6	6.9	6.8	6.4	5.1
118	4.4	5.7	4.8	7.0	5.1	6.6	5.0	4.8
124	3.2	4.3	3.8	5.4	4.0	6.2	4.0	4.6
131	-	2.9	2.4	4.2	2.9	5.1	2.9	4.4
138	-	-	-	2.8	-	3.9	-	4.1
144	-	-	-	-	-	2.9	-	3.3
151	-	-	-	-	-	-	-	2.4

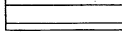

24,200 lb   **360° 85%**

Radius ft	Fixed fly jib							
	39.0 ft		59.0 ft		79.0 ft		98.0 ft	
	3°	20°	3°	20°	3°	20°	3°	20°
	1,000 lb							
33	24.2	-	-	-	-	-	-	-
39	23.8	-	18.7	-	-	-	-	-
46	22.9	-	17.8	-	13.8	-	-	-
52	21.9	17.4	17.2	-	13.2	-	9.9	-
59	20.9	16.5	16.7	12.5	12.7	-	9.7	-
65	19.1	15.7	15.9	12.1	11.9	-	9.3	-
72	15.3	15.0	15.2	11.6	11.4	8.8	8.8	-
79	11.8	14.2	11.8	11.2	10.9	8.3	8.1	-
85	9.5	11.5	9.5	10.8	9.7	8.1	7.9	6.1
92	7.2	9.2	7.4	10.1	7.4	7.7	7.4	5.9
98	5.4	7.4	5.4	8.2	5.8	7.5	5.8	5.7
105	3.7	5.5	3.9	6.6	4.1	7.2	4.1	5.5
111	2.5	4.0	2.7	4.7	2.7	5.8	2.7	5.1
118	-	2.4	-	3.3	-	4.2	-	4.8
124	-	-	-	2.3	-	3.0	-	3.8
131	-	-	-	-	-	-	-	2.4

Working range luffing fly jib, main boom 83°

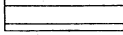



Lifting capacities luffing fly jib, main boom 83°, in 1,000 lb

59,500 lb   360° 75%

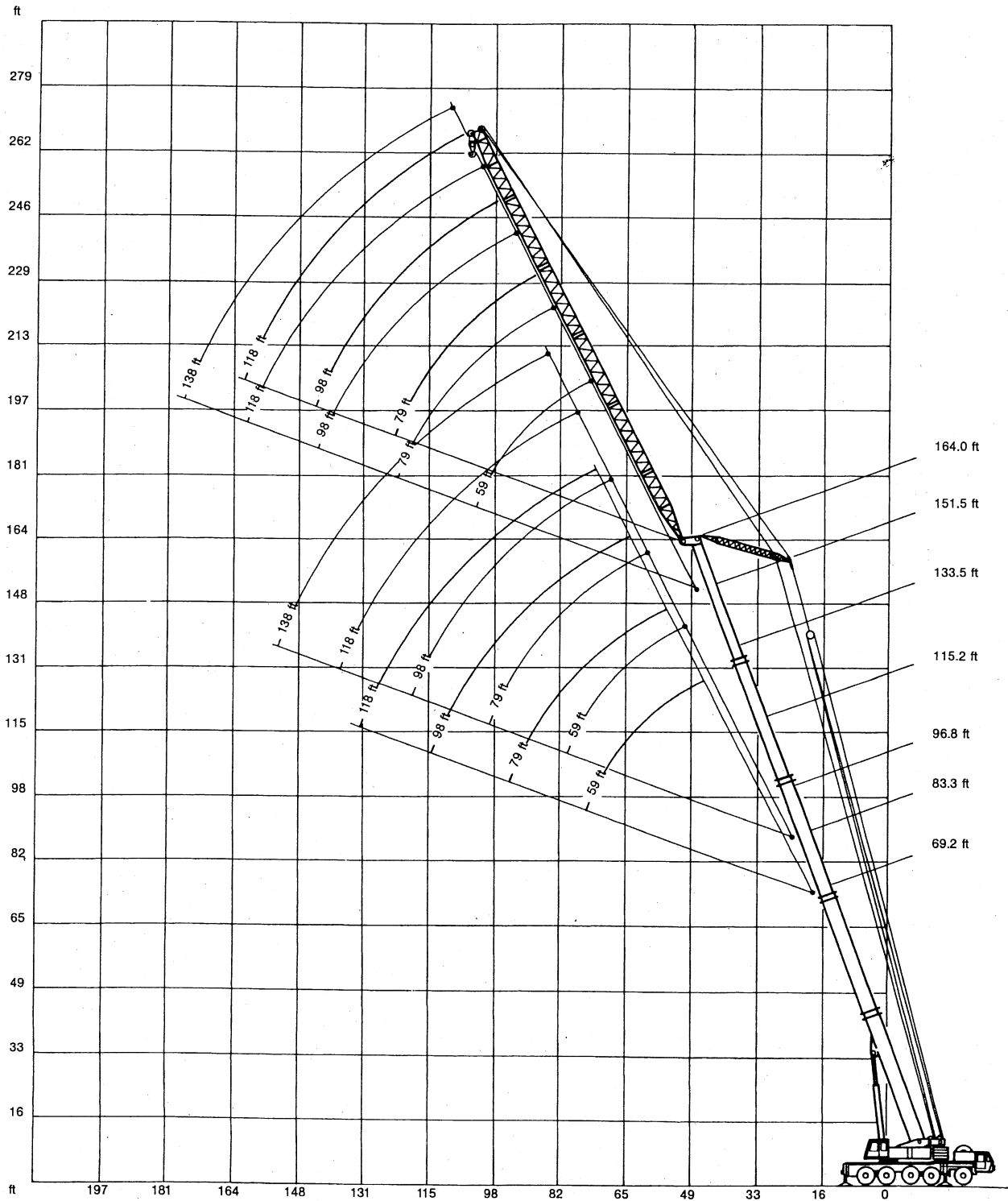
Boom	Radius	Luffing fly jib				
		59.0 ft	79.0 ft	98.0 ft	118.0 ft	138.0 ft
	ft	1,000 lb				
69.2 ft*	26	68.0	-	-	-	-
	29	67.0	-	-	-	-
	33	65.5	52.7	-	-	-
	39	54.0	48.7	37.6	-	-
	46	44.0	45.1	35.2	24.9	-
	52	37.5	40.7	33.2	23.8	-
	59	27.8	34.8	30.4	22.4	-
	65	-	30.6	28.6	21.0	-
	72	-	25.7	26.0	19.6	-
	79	-	-	24.1	18.2	-
	85	-	-	22.1	17.2	-
83.3 ft*	92	-	-	17.5	16.0	-
	98	-	-	-	15.0	-
	105	-	-	-	13.8	-
	111	-	-	-	12.6	-
	26	59.5	-	-	-	-
	29	59.5	-	-	-	-
	33	59.4	42.9	-	-	-
	39	56.4	41.9	32.0	-	-
	46	47.9	39.6	30.4	23.1	-
	52	40.5	38.0	29.2	22.1	13.2
	59	32.9	35.9	27.5	21.1	13.0
96.8 ft*	65	-	32.5	26.1	20.3	12.6
	72	-	28.3	24.7	19.2	12.3
	79	-	21.3	23.0	18.0	11.8
	85	-	-	21.4	17.0	11.4
	92	-	-	19.0	15.8	10.7
	98	-	-	14.8	14.8	10.3
	105	-	-	-	13.6	9.6
	111	-	-	-	12.6	9.0
	118	-	-	-	-	8.3
	124	-	-	-	-	7.7
	131	-	-	-	-	7.0
96.8 ft*	29	50.7	-	-	-	-
	33	50.7	-	-	-	-
	39	50.7	35.3	-	-	-
	46	48.8	34.1	26.4	-	-
	52	42.2	33.1	25.8	19.8	-
	59	35.1	31.5	24.9	19.6	11.0
	65	-	30.5	23.5	19.0	11.0
	72	-	29.1	22.0	18.1	11.0
	79	-	23.3	20.9	17.1	11.0
	85	-	-	19.8	16.3	11.0
	92	-	-	18.4	14.9	10.5
96.8 ft*	98	-	-	16.8	14.3	10.1
	105	-	-	-	13.2	9.4
	111	-	-	-	12.4	8.6
	118	-	-	-	11.4	8.1
	124	-	-	-	-	7.5
	131	-	-	-	-	6.8

*Tele 1 verbolzt · pinned · verrouillé

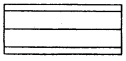

59,500 lb   360° 75%

Boom	Radius	Luffing fly jib				
		59.0 ft	79.0 ft	98.0 ft	118.0 ft	138.0 ft
	ft	1,000 lb				
115.2 ft	33	37.4	-	-	-	-
	39	36.6	27.6	-	-	-
	46	35.0	26.6	20.4	-	-
	52	30.9	26.0	19.8	16.1	-
	59	25.8	25.3	19.1	15.2	8.3
	65	20.4	24.7	18.5	14.6	8.3
	72	-	21.6	17.8	14.1	8.3
	79	-	18.1	17.1	13.4	8.3
	85	-	-	16.5	12.8	8.3
	92	-	-	15.8	12.3	8.3
	98	-	-	13.4	11.9	8.3
133.5 ft	105	-	-	-	11.2	8.3
	111	-	-	-	10.8	7.7
	118	-	-	-	9.7	7.2
	124	-	-	-	-	6.8
	131	-	-	-	-	6.1
	138	-	-	-	-	5.4
	39	27.1	20.7	-	-	-
	46	25.7	20.0	16.0	-	-
	52	24.9	19.4	15.6	11.4	-
	59	24.0	18.7	14.9	11.0	5.5
	65	22.4	18.1	14.5	10.8	5.5
151.5 ft	72	-	17.6	14.1	10.3	5.5
	79	-	17.1	13.8	10.1	5.5
	85	-	15.9	13.4	9.9	5.5
	92	-	-	13.0	9.6	5.5
	98	-	-	12.8	9.4	5.5
	105	-	-	11.4	9.0	5.5
	111	-	-	-	8.8	5.5
	118	-	-	-	8.6	5.5
	124	-	-	-	-	5.5
	131	-	-	-	-	5.5
	138	-	-	-	-	5.5
164.0 ft	39	22.1	-	-	-	-
	46	20.9	15.8	-	-	-
	52	19.9	15.4	11.0	-	-
	59	19.1	15.2	11.0	5.5	-
	65	18.3	15.0	11.0	5.5	2.2
	72	-	14.5	11.0	5.5	2.2
	79	-	14.3	10.7	5.5	2.2
	85	-	14.1	10.5	5.5	2.2
	92	-	-	10.3	5.5	2.2
	98	-	-	9.9	5.5	2.2
	105	-	-	9.6	5.5	2.2
164.0 ft	111	-	-	-	5.5	2.2
	118	-	-	-	5.5	2.2
	124	-	-	-	5.5	2.2
	131	-	-	-	-	2.2
	138	-	-	-	-	2.2
	39	-	-	-	-	-
	46	-	11.2	-	-	-
	52	-	11.2	7.7	-	-
	59	-	11.2	7.7	2.2	-
	65	-	11.2	7.7	2.2	-
	72	-	11.2	7.7	2.2	-
79	-	11.2	7.7	2.2	-	
85	-	10.8	7.7	2.2	-	
92	-	-	7.7	2.2	-	
98	-	-	7.7	2.2	-	
105	-	-	7.7	2.2	-	
111	-	-	-	2.2	-	
118	-	-	-	2.2	-	
124	-	-	-	2.2	-	

Working range luffing fly jib, main boom 70°

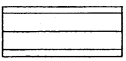



Lifting capacities luffing fly jib, main boom 70°, in 1,000 lb

59,500 lb   **360° 75%**

Boom	Radius	Luffing fly jib				
		59.0 ft	79.0 ft	98.0 ft	118.0 ft	138.0 ft
	ft	1,000 lb				
69.2 ft*	52	46.5	-	-	-	-
	59	39.5	-	-	-	-
	65	35.0	34.5	-	-	-
	72	30.7	30.3	26.0	-	-
	79	-	27.0	24.1	-	-
	85	-	24.5	22.1	17.0	-
	92	-	22.2	20.2	15.8	-
	98	-	-	19.2	14.8	-
	105	-	-	18.2	13.6	-
	111	-	-	17.0	12.6	-
	118	-	-	-	12.3	-
	124	-	-	-	12.1	-
83.3 ft*	59	38.1	-	-	-	-
	65	33.7	33.2	-	-	-
	72	29.6	29.2	-	-	-
	79	26.3	25.9	23.0	-	-
	85	-	23.4	21.4	17.0	-
	92	-	21.3	19.8	15.8	-
	98	-	19.7	18.3	14.8	10.4
	105	-	-	17.4	13.6	9.6
	111	-	-	16.2	12.6	9.0
	118	-	-	-	12.3	8.3
	124	-	-	-	12.1	7.7
	131	-	-	-	11.7	7.0
138	-	-	-	-	6.8	
144	-	-	-	-	6.4	
151	-	-	-	-	6.1	
96.8 ft*	65	31.8	-	-	-	-
	72	27.8	27.4	-	-	-
	79	24.8	24.3	-	-	-
	85	-	22.1	19.9	-	-
	92	-	20.0	18.4	14.0	-
	98	-	18.4	17.2	13.2	-
	105	-	-	16.3	12.7	9.4
	111	-	-	15.1	12.1	8.6
	118	-	-	13.9	11.6	8.1
	124	-	-	-	11.2	7.5
	131	-	-	-	10.8	6.8
	138	-	-	-	10.3	6.3
144	-	-	-	-	5.9	
151	-	-	-	-	5.7	
157	-	-	-	-	5.5	

* Tele 1 verbolzt - pinned - verrouillé

59,500 lb   **360° 75%**

Boom	Radius	Luffing fly jib				
		59.0 ft	79.0 ft	98.0 ft	118.0 ft	138.0 ft
	ft	1,000 lb				
115.2 ft	72	28.3	-	-	-	-
	79	25.0	-	-	-	-
	85	22.8	22.3	-	-	-
	92	-	20.2	15.8	-	-
	98	-	18.6	15.0	11.9	-
	105	-	16.9	14.7	11.2	-
	111	-	-	14.3	10.8	7.7
	118	-	-	13.8	10.1	7.2
	124	-	-	13.2	9.7	6.8
	131	-	-	-	9.2	6.1
	138	-	-	-	9.0	5.5
	144	-	-	-	8.6	5.3
151	-	-	-	-	5.0	
157	-	-	-	-	4.8	
164	-	-	-	-	4.6	
133.5 ft	79	22.0	-	-	-	-
	85	21.2	16.7	-	-	-
	92	19.3	16.0	-	-	-
	98	-	15.8	12.8	-	-
	105	-	15.6	12.5	9.0	-
	111	-	14.8	12.3	8.8	-
	118	-	-	12.1	8.6	5.0
	124	-	-	11.9	8.4	5.0
	131	-	-	11.4	7.9	4.8
	138	-	-	-	7.4	4.8
	144	-	-	-	7.2	4.6
	151	-	-	-	7.0	4.6
157	-	-	-	-	4.4	
164	-	-	-	-	4.1	
170	-	-	-	-	4.1	
151.5 ft	85	13.2	-	-	-	-
	92	13.2	-	-	-	-
	98	13.2	12.7	-	-	-
	105	-	12.7	9.7	-	-
	111	-	12.7	9.7	4.8	-
	118	-	12.5	9.4	4.8	-
	124	-	-	9.4	4.8	2.2
	131	-	-	9.2	4.8	2.2
	138	-	-	9.0	4.8	2.2
	144	-	-	-	4.8	2.2
	151	-	-	-	4.8	2.2
	157	-	-	-	4.8	2.2
164	-	-	-	-	2.2	
170	-	-	-	-	2.2	
177	-	-	-	-	2.2	
164.0 ft	98	-	9.2	-	-	-
	105	-	8.8	5.7	-	-
	111	-	8.6	5.7	-	-
	118	-	8.3	5.7	2.2	-
	124	-	8.3	5.7	2.2	-
	131	-	-	5.7	2.2	-
	138	-	-	5.7	2.2	-
	144	-	-	5.7	2.2	-
	151	-	-	-	2.2	-
	157	-	-	-	2.2	-